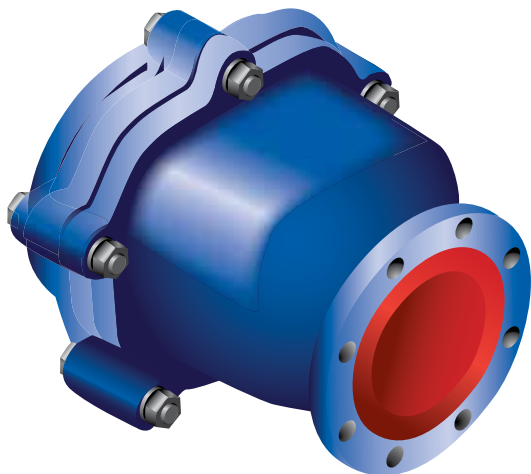


CV RF Series

The Isogate® CV RF check valve is specifically designed for reverse flow prevention for harsh, highly abrasive applications in liquid-solids slurry services.



Isogate® CV RF valve

Single non-return swing check valve

The Isogate® CV RF check valve is a single port rubber lined swing check valve for prevention of reverse flow in abrasive and corrosive flowing media.

The Isogate® CV RF check valve has no internal metal parts exposed to the process flow. It features a metal and fabric reinforced moulded rubber disc that seals drip-tight over a full bore port.

Features and benefits

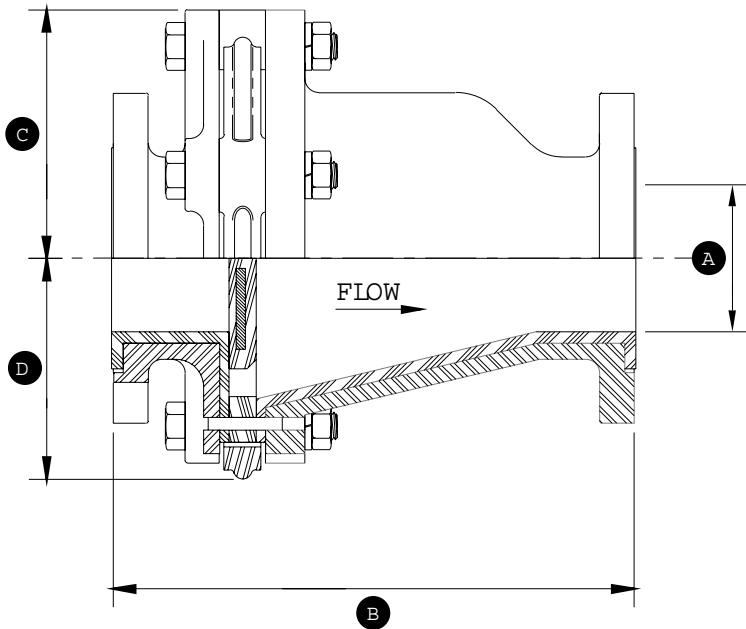
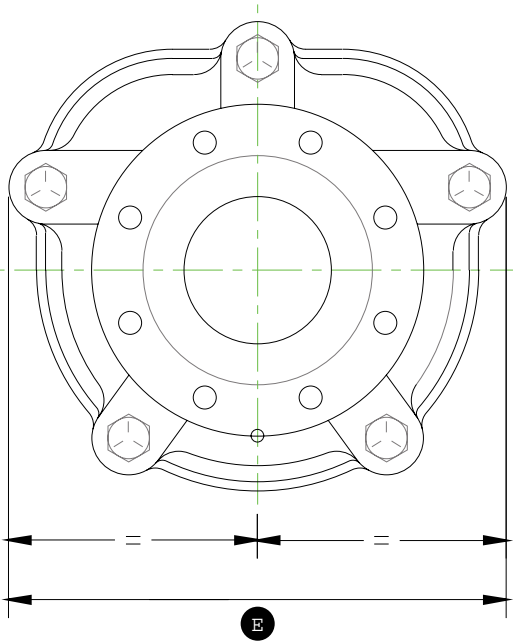
- Linatex® premium rubber is the standard wear liner and disc material. A wide range of natural and synthetic rubber liner and disc materials are also available
- Full bore design with low friction loss and high flow capacity
- Drip-tight shut off
- The replaceable moulded rubber liners and disc are held in place by the body fasteners - no adhesives are required
- Robust cast metal bodies

Options

- End Flanges – ANSI 150, DIN PN10/PN16, BS TABLE D/E
- Rubber liners and disc materials - Linatex® premium rubber, Linatex®, Linard® and Linagard™ natural rubber blends, synthetic rubbers

Isogate® CV RF Series

Size A	Length B	Height C	Drop D	Width E	Max. WP	Weight Iron	Weight Alum
inches/mm	inches/mm	inches/mm	inches/mm	inches/mm	psi/kPa	lbs/kg	lbs/kg
2 / 50	10 / 254	5.25 / 134	5.25 / 134	10.50 / 267	125 / 865	44 / 20	18 / 8
3 / 80	12.25 / 310	6.13 / 172	5.25 / 135	12.25 / 312	125 / 865	68 / 31	34 / 16
4 / 100	14.13 / 359	6.75 / 172	6 / 153	13.50 / 343	125 / 865	85 / 39	43 / 20
6 / 150	16.13 / 410	8.38 / 213	7.38 / 188	16.75 / 426	125 / 865	200 / 91	100 / 46
8 / 200	20.13 / 512	10.50 / 267	8.50 / 217	20.25 / 515	125 / 865	279 / 127	140 / 64
10 / 250	24 / 610	12.38 / 315	10.25 / 262	23.25 / 591	125 / 865	550 / 250	275 / 125
12 / 300	28.50 / 724	14 / 357	11 / 280	26.13 / 664	125 / 865	650 / 295	326 / 148



Isogate® CV RF valve sizes 2" to 12"

Weir Minerals North America

2701 S Stoughton Road, Madison WI 53716
 PO Box 7610, Madison WI 53707
 USA

Tel: 608 221 2261
 Fax: 608 221 5810
www.weirminerals.com

Excellent
 Minerals
 Solutions

