

Warman SJ submersible dewatering pump

The Warman SJ submersible dewatering pumps represent an optimal combination of ruggedness, durability, hydraulics and materials technology. These pumps are designed to perform in the most arduous submersible mine and quarry dewatering applications. Warman SJ pumps are equipped for immediate use, their robust but low weight design makes installation and operation easy and safe

Warman SJ standard features

- Heavy duty construction with lightweight portability – durability and strength with ease of transport, maintenance and less downtime
- Optimum mix of wear resistant materials – full utilization of wearing parts for maximum wear life
- Great value with a modular design – easily adjusted and replaced wear parts for less downtime
- Common components between SJ sizes – reduced spares inventory and ease of maintenance
- Simple access to separate sealed electrical junction box – ease of cable replacement
- Temperature sensors fitted to motor windings allow automatic shutdown in the event of overheating – pump can run dry without risk of burnout
- High specification mining cable as standard – ready to use out of the box
- Silicon carbide faces on primary seal – longest life in dirty water applications

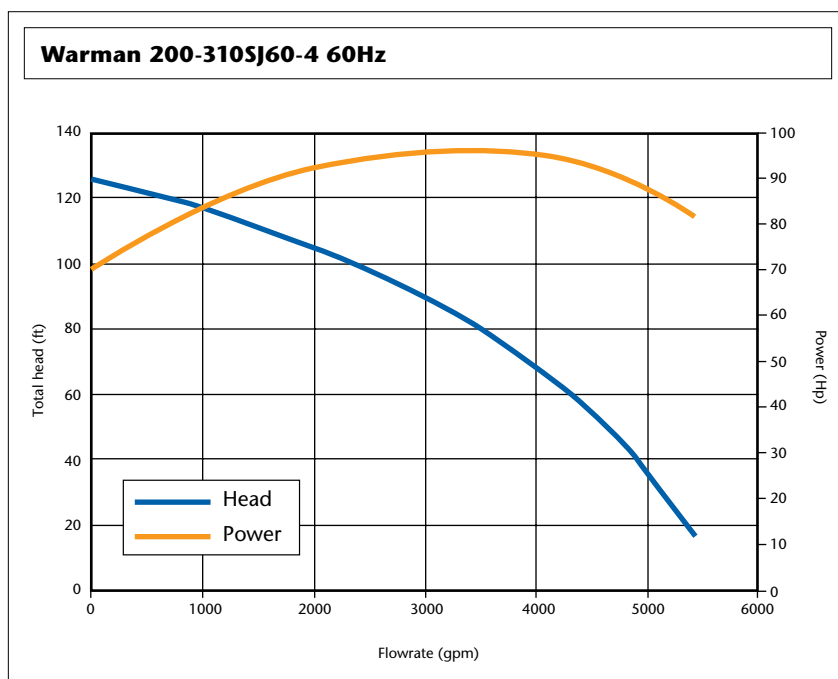
Warman SJ benefit to the customer

- Ease of portability, installation and maintenance, less downtime, maximum wear life and efficient hydraulic performance give the customer – the lowest total cost of ownership

The premium submersible mine dewatering pump from the global slurry pump specialists



Warman 200-310SJ60-4



Size range (discharge)

8" NPT

Capacities to

5435 gpm

Heads to

125 feet

Applications

Underground mine dewatering

Opencast mine dewatering

Alluvial mining level control

Sand, gravel and hard rock quarrying

Clarified water

Mineral processing plants

Pump

Maximum submergence: 65.5 feet
Maximum working pressure: 145 psi
Max SG: 1.1
pH range: 5–8
Strainer holes: 0.55 inch diameter
Weight (including 20 m cable): 1300 lbs

Electric motor

3-phase squirrel-cage induction motor
Protection class: IP 68. Class F insulation
Motor rating P2: 94 Hp (70 kW)
Speed: 1732 rpm
Starting: Direct on line

High specification rubber-sheathed flexible mining cable suitable for underground mining, open-cast mining, quarries and other similar applications
NSSH U .../3E, DIN VDE 0250, Part 812, MSHA P-189-3, WUG-GE-104/97

Shaft seal

Double mechanical seal in oil bath
Primary seal: Silicon carbide on silicon carbide
Secondary seal: Stainless steel on antimony treated carbon

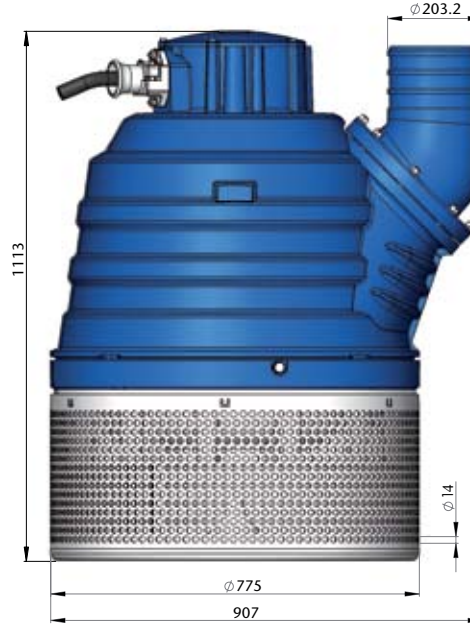
Bearings

Upper bearing: Single-row deep groove ball bearing
Lower bearing: Double angular contact ball bearing

Materials of construction

Component	Material	Code
Castings	Aluminium	
Casing & fasteners	Stainless steel	C22
Shaft	Stainless steel	C21
Impeller	High chrome iron	A05
Wear plate	Polyurethane	U01
Diffuser	Nitrile rubber	S12
Back Plate	Nitrile rubber	S12

Outline dimensions (mm)



WARMAN® Centrifugal Slurry Pumps
GEHO® Positive Displacement Slurry Pumps
CAVEX® Hydrocyclones
ISOGATE® Slurry Valves
VULCO® Wear Resistant Linings



For further information on Weir Minerals products or services, contact the nearest sales office or visit www.weirminerals.com

Weir Minerals North America–Hazleton

225 N Cedar, Hazleton PA 18201
PO Box 488, Hazleton PA 18201
USA

Tel: 570 455 7711
Fax: 570 459 2586
www.weirminerals.com

Slurry
Equipment
Solutions

