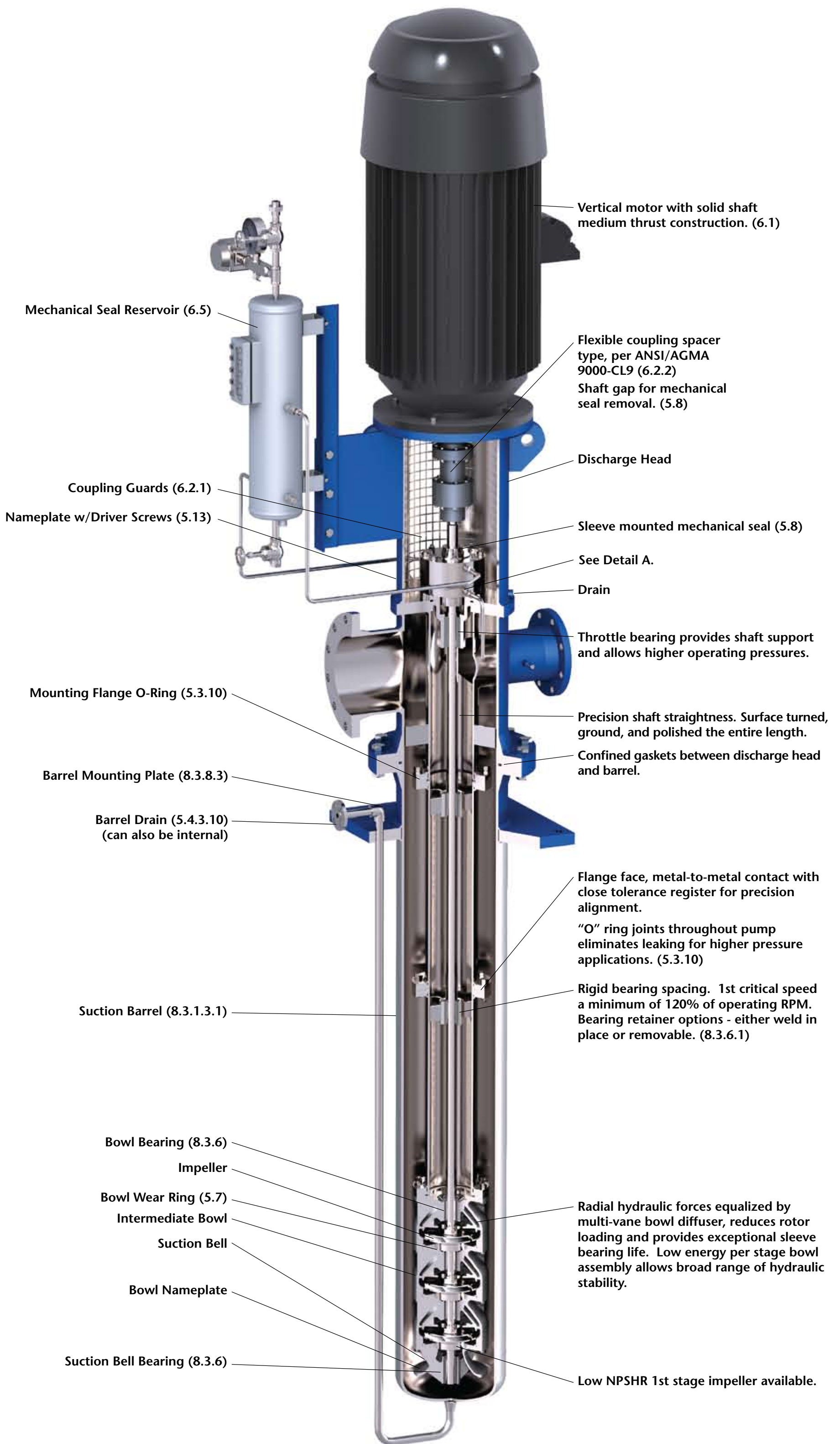


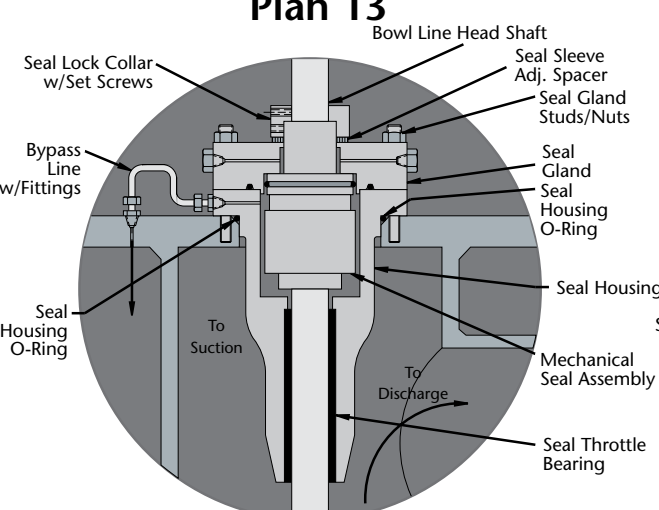
**VS6 Double Casing**

API-610 Construction Latest Edition

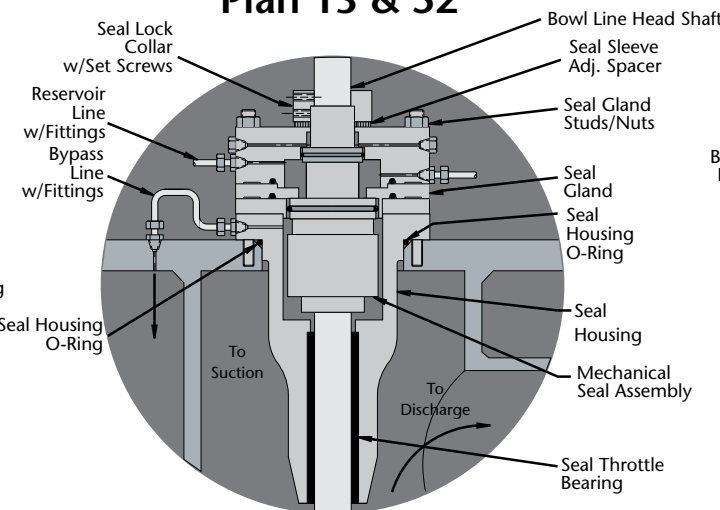


**DETAIL A**

**Mechanical Seal Single Cartridge ISO/21049-API 682 Plan 13**



**Mechanical Seal Tandem Cartridge ISO/21049-API 682 Plan 13 & 52**



**DETAIL B**

**Impeller (5.6.3) Thrust Balanced, Keyed Shaft Mounting, With Wear Rings**

